

SIZE	PART NUMBERS	
	CINCH-MOUNT	FLAT-MOUNT
SMALL	SH210S	SH210S-B1
MEDIUM	SH210M	SH210M-B1
LARGE	SH210L	SH210L-B1
X-LARGE	SH210XL	SH210XL-B1

SHEET 1 of 3

note

description

SHOULDER HARNESS, FRONT-PULL, TECHNICAL SPECS

drawing no.

D11-0823-31

date originated

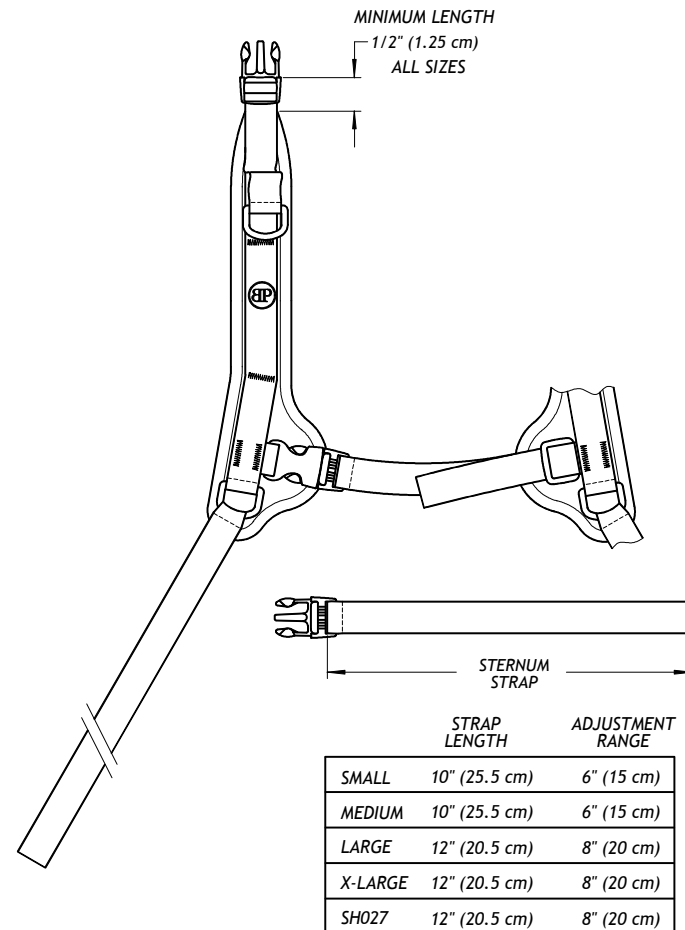
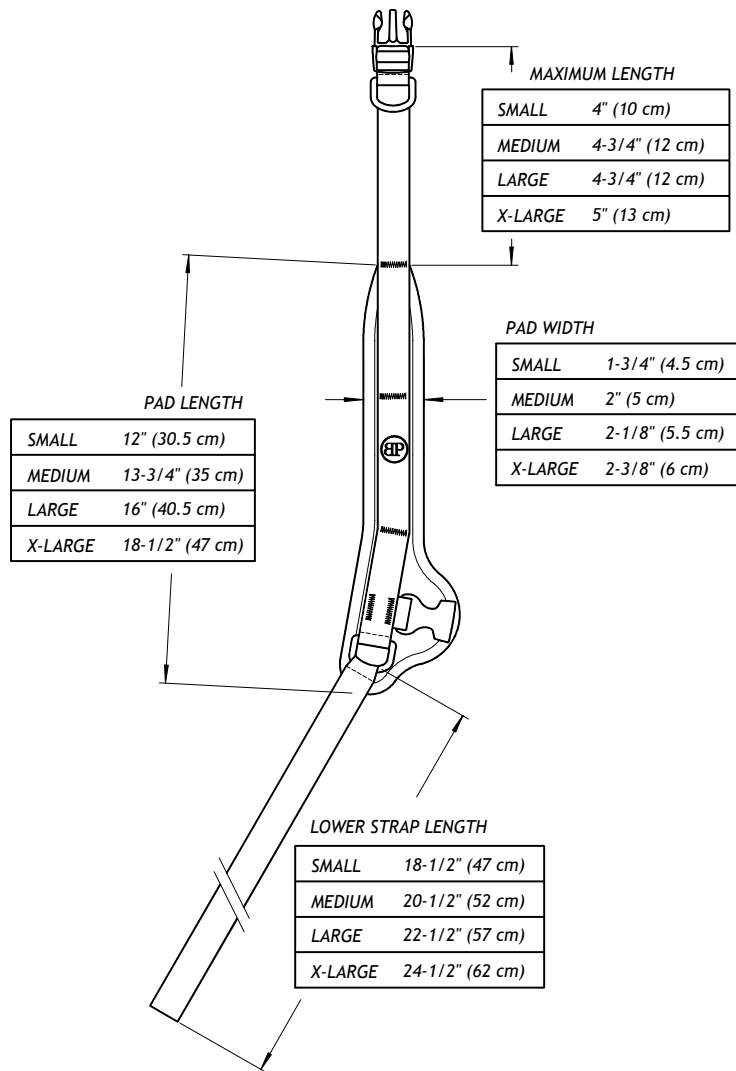
8/23/2011

drawn by

D. HAGAN

rev.

A



SHEET 2 of 3

note

description

SHOULDER HARNESS, FRONT-PULL, TECHNICAL SPECS

drawing no.

D11-0823-31

date originated

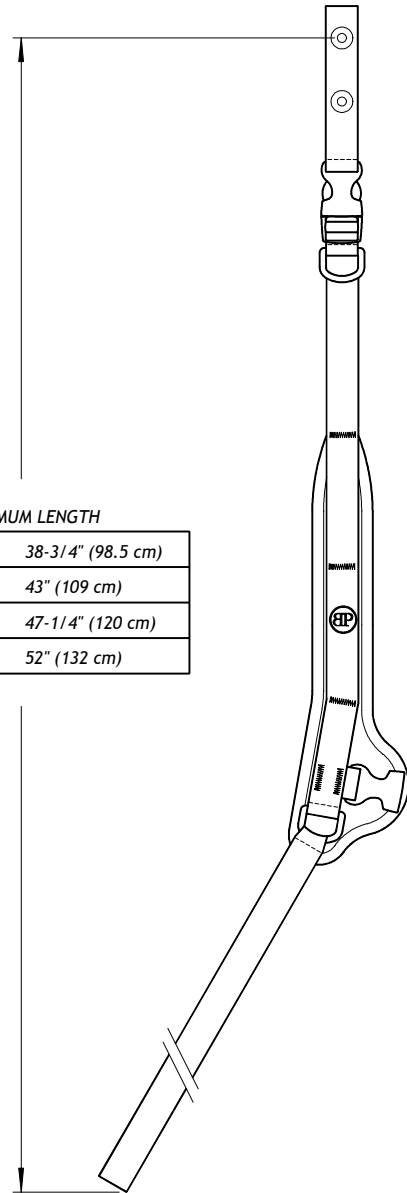
8/23/2011

drawn by

D. HAGAN

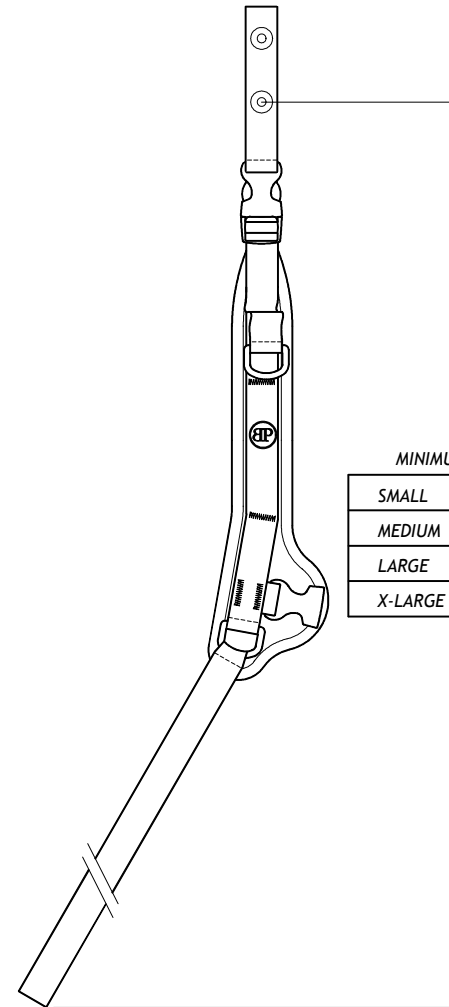
rev.

A



MAXIMUM LENGTH

SMALL	38-3/4" (98.5 cm)
MEDIUM	43" (109 cm)
LARGE	47-1/4" (120 cm)
X-LARGE	52" (132 cm)



MINIMUM LENGTH

SMALL	33" (84 cm)
MEDIUM	36-1/2" (92.5 cm)
LARGE	40-1/2" (103 cm)
X-LARGE	45-1/4" (115 cm)

SHEET 3 of 3

note

description

SHOULDER HARNESS, FRONT-PULL, TECHNICAL SPECS

drawing no.

D11-0823-31

date originated

8/23/2011

drawn by

D. HAGAN

rev.

A